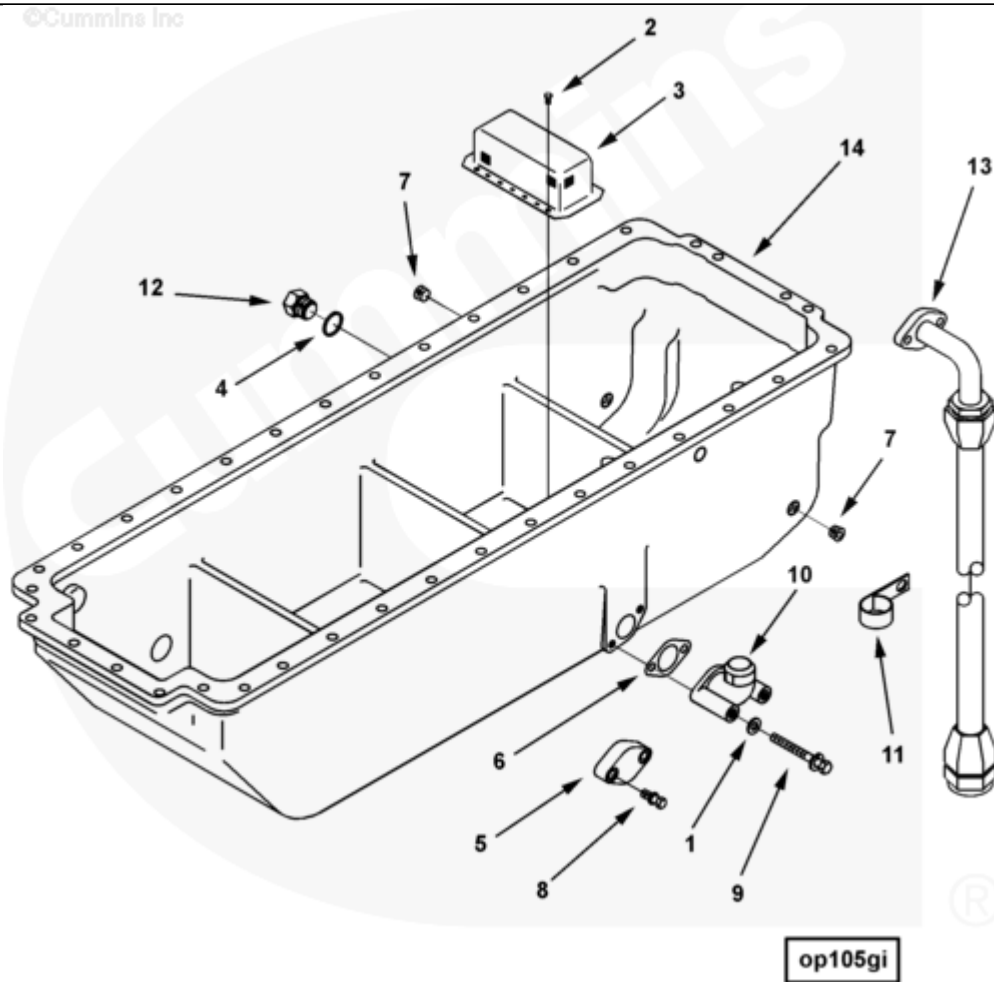




## Parts Catalog - Option Detail

| Electronic Parts Catalog - Option Detail |                                                                                                                                                                                                  |         |           |           |
|------------------------------------------|--------------------------------------------------------------------------------------------------------------------------------------------------------------------------------------------------|---------|-----------|-----------|
| Option                                   | Group                                                                                                                                                                                            | Graphic | Film Card | Date      |
| OP1166-01                                | 07.01                                                                                                                                                                                            | op105gi | FF        | 23-NOV-98 |
| <b>Engines</b>                           | G855, G855 CM558, GTA855 CM558 (CM2358) G101, N14 CELECT, N14 CELECT PLUS, N14 MECHANICAL, NH/NT 855, QSM11 CM876 M101, QSM11 CM876 M102M, QSN14 CM876 N103, QSN14 CM876 N105, QSNT14 CM876 N102 |         |           |           |



SMALL | MEDIUM | LARGE

| Cart         | Ref No | Part Number | Part Description | Required | Remarks                    |
|--------------|--------|-------------|------------------|----------|----------------------------|
| View My Cart |        |             |                  |          |                            |
|              |        | OP1166-01   | Oil Pan          |          |                            |
|              |        |             |                  |          | Cast aluminum full sump    |
|              |        |             |                  |          | 15gallon (58.8 l) high and |

|                          |    |                         |                               |   |                               |
|--------------------------|----|-------------------------|-------------------------------|---|-------------------------------|
|                          |    |                         |                               |   | 7gallons (24.7 l)low level.   |
|                          |    |                         |                               |   | 15.8 degrees front end of     |
|                          |    |                         |                               |   | engine down. 45 degrees       |
|                          |    |                         |                               |   | Front end of engine up. 40    |
|                          |    |                         |                               |   | degrees exhaust side of       |
|                          |    |                         |                               |   | engine down. 45 degrees fuel  |
|                          |    |                         |                               |   | pump side of engine down. 2   |
|                          |    |                         |                               |   | each, 1/2 inch NPTF tapping 1 |
|                          |    |                         |                               |   | on fuel pump side and 1 on    |
|                          |    |                         |                               |   | exhaust side. 1 each, 1 inch  |
|                          |    |                         |                               |   | NPTF tapping on exhaust side. |
| <input type="checkbox"/> | 1  | <a href="#">S 602</a>   | Plain Washer                  | 2 | 3/8 in.                       |
| <input type="checkbox"/> | 2  | <a href="#">S 1354</a>  | Self Tapping Metal Screw      | 8 | 10 - 16 X 3/8 in.             |
| <input type="checkbox"/> | 3  | <a href="#">20622</a>   | Oil Suction Screen            | 2 |                               |
| <input type="checkbox"/> | 4  | <a href="#">67946</a>   | Plain Washer                  | 1 | 1 1/32 in.                    |
| <input type="checkbox"/> | 5  | <a href="#">157549</a>  | Flange                        | 1 |                               |
| <input type="checkbox"/> | 6  | <a href="#">157551</a>  | Oil Suction Connection Gasket | 3 |                               |
| <input type="checkbox"/> | 7  | <a href="#">3008468</a> | Pipe Plug                     | 2 | 1/2 NPT.                      |
| <input type="checkbox"/> | 8  | <a href="#">3011715</a> | Captive Washer Cap Screw      | 2 | 3/8 - 16 X 1 3/16 in.         |
| <input type="checkbox"/> | 9  | <a href="#">3012478</a> | Captive Washer Cap Screw      | 2 | 3/8 - 16 X 3 1/2 in.          |
| <input type="checkbox"/> | 10 | <a href="#">3013980</a> | Oil Suction Connection        | 1 |                               |
| <input type="checkbox"/> | 11 | <a href="#">3016478</a> | Clip                          | 1 |                               |
| <input type="checkbox"/> | 12 | <a href="#">3055069</a> | Threaded Plug                 | 1 | 1 - 18 UNS.                   |
| <input type="checkbox"/> | 13 | <a href="#">3253272</a> | Flexible Hose                 | 1 |                               |
| <input type="checkbox"/> | 14 | <a href="#">3349314</a> | Oil Pan                       | 1 |                               |